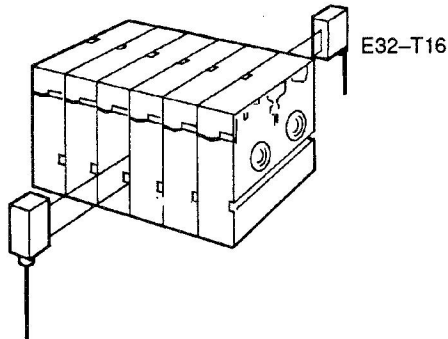


## Transportation and others

### 58 Video Cassette Counting

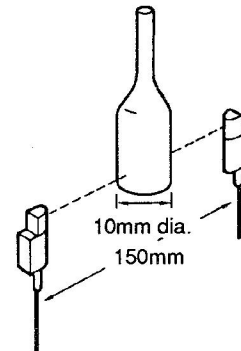
Counts the cassettes as they pass by, transmitting light down the cassette's groove (though there are no gaps between the cassettes).



**Detection Subject: Video Cassette Cases**  
 Fiber Unit E32-T16  
 Amp Unit E3XA-CC4A

### 59 Lamp Housing Detection

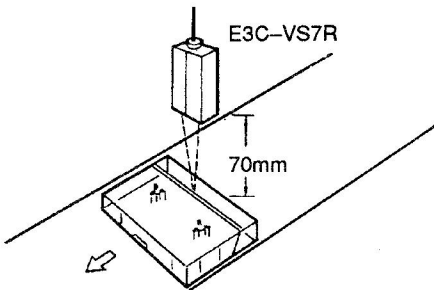
Transparent lamp housings can be accurately detected with the use of an E3XR-CGE4 green light amp.



**Detection Subject: Lamp Housing**  
 Fiber Unit E32-T14  
 Amp Unit E3XR-CGE4

### 60 Cassette Tape Case Groove Detection

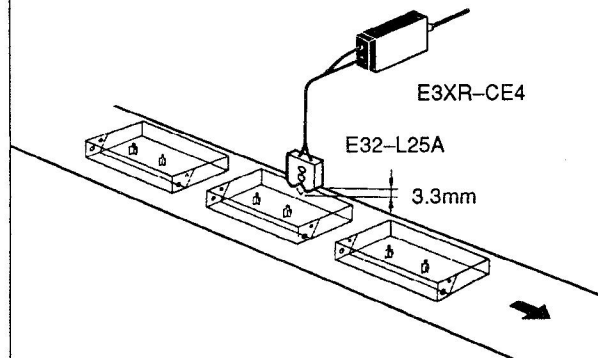
An E3C-VS7R with a spot diameter of 1.5 mm detects the groove of cassette cases.



**Detection Subject: Cassette Tape Case**  
 Separate Amp Photoelectric Switch E3C-VS7R  
 Amp Unit E3C-JC4P

### 61 Cassette Tape

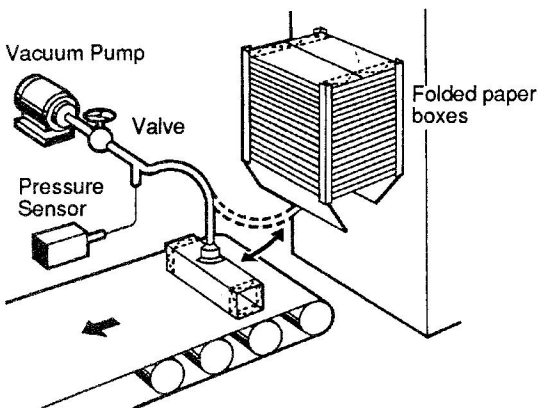
With the use of a wafer sensor, which is not affected by the color or pattern of the detected object, the cassette case can be accurately detected.



Fiber Unit E32-L25A  
 Amp Unit E3XR-CE4

### 62 Paper Container Forming and Adhesion Confirmation

Checks adhesion for paper containers.



Pressure Sensor E8C